



Change to a
smart process
connector

BOCCLOCK

PROCESS INNOVATIONS

The solution for sensitive connections

APPLICATIONS

- **Quick** connection of hoses and hook up connections for all industrial applications
- **Secure connection** for sensitive processes (Explosion Proof, contamination, cross contamination...)
- Suitable for all flowrates (3/4" to 4" nominal diameter) pressurized, with no dead legs.

MECHANICAL BENEFITS

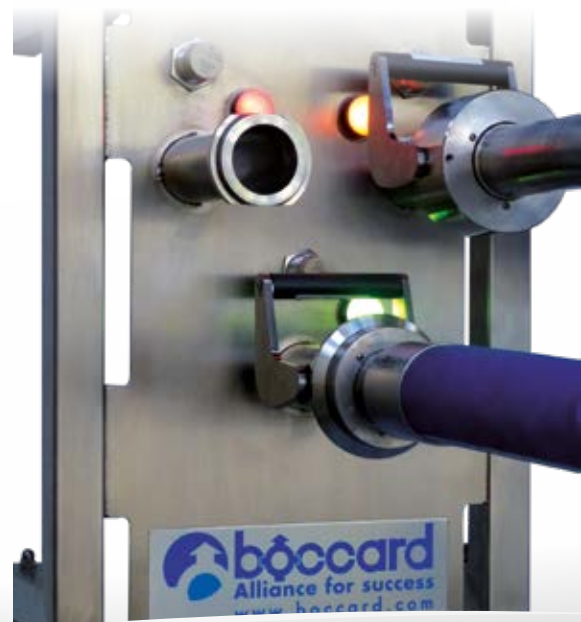
- Easy maneuver **without tools** or pain!!
- Universal compatibility for easy implementation into your process applications
- Stainless steel construction, hygienic design, **Cleanable In Place**
- Full bore and sanitary ISO 2852 gaskets

RFID TECHNOLOGY BENEFITS

- Prevents or authorizes transfers based on Sanitary Status of hoses (cleanliness, compatibility...)
- Allows full product Traceability.
- Prevents or authorizes transfers based on the verification of complete and corresponding connections (end to end)



Boccard
commitment



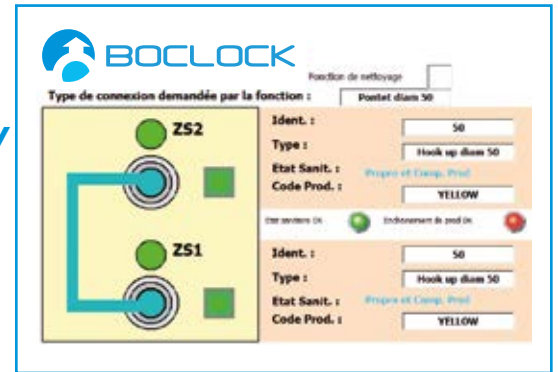
BOCLOCK

PROCESS INNOVATIONS



AUTOMATION: to choose according to the safety level needed

- Detection in tightly closed position
- Individual identification of connexions and flexibles (RFID).
- Local operator assistance with colored signalization
- Full traceability with sanitary status management.

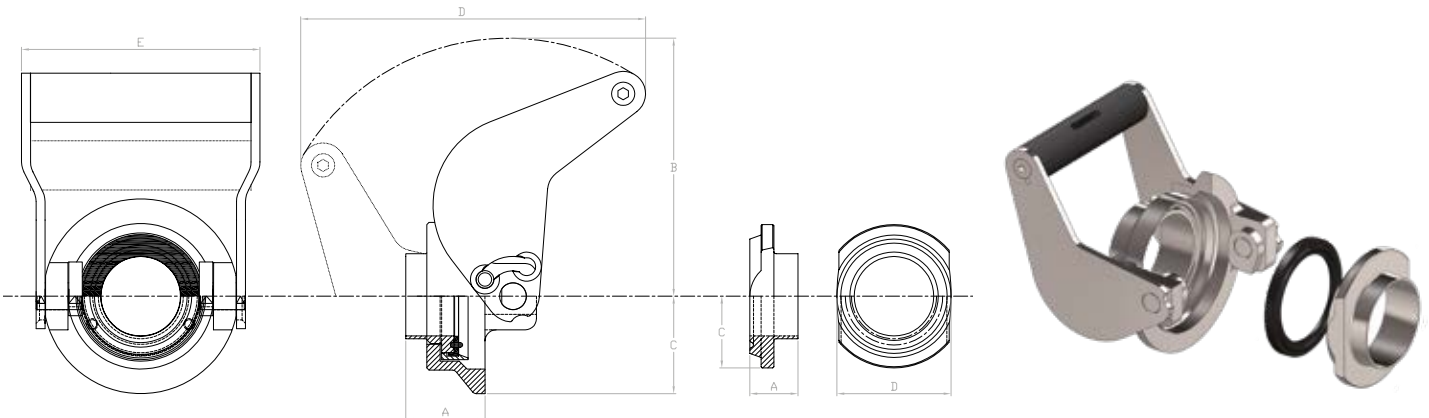


supervision view



CHARACTERISTICS

- Tri-clamp joint with FDA certificate
- Marking of lot n° (male part) or serie (female part).
- Parts in contact with the product: 316L stainless steel, Ra 0.8µm, material certificate according to 3.1b.
- Handle: food grade plastic with RFID chip
- Other parts: stainless steel grades



BOCLOCK - female part (ref. BLPF)
Dimensions (mm)

DN	A	B	C	D	E
20-40	35,4	115	43,5	107	156
50	35,4	115	50,3	107	156
65	35,4	115	57	120,5	156
80	35,4	150	69	148	201
100	35,4	150	78	162	201

BOCLOCK - male part (ref. BLPM)
Dimensions (mm)

DN	A	C	D
20-40	30	32	51
50	30	39	64
65	30	46	78
80	30	53	92
100	30	67	120